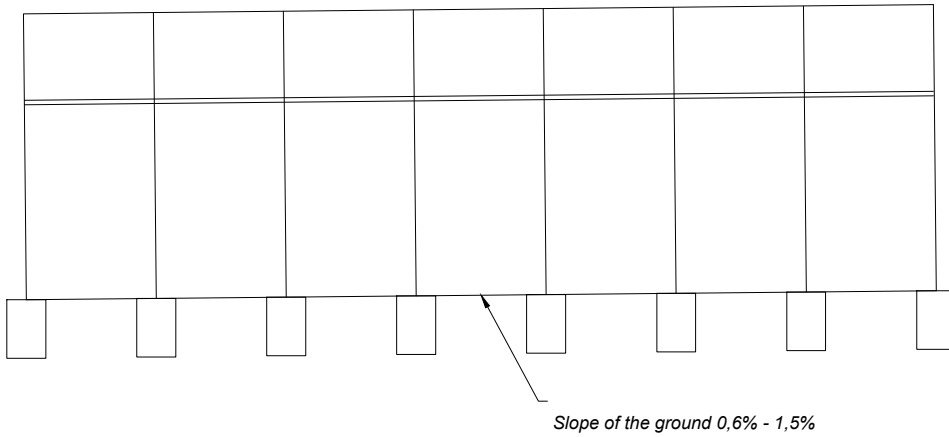
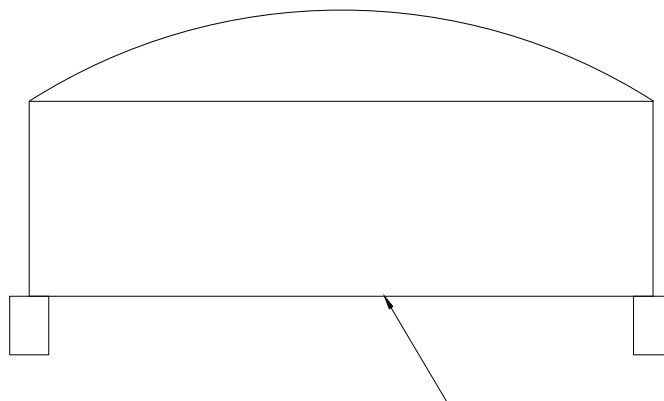


*longitudinal slope*



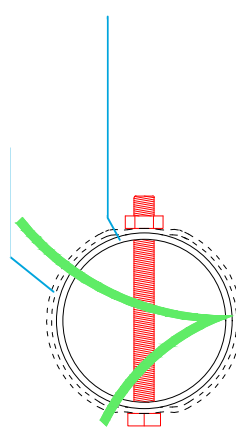
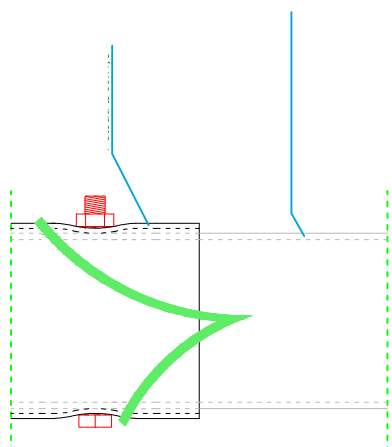
*Crossfall*



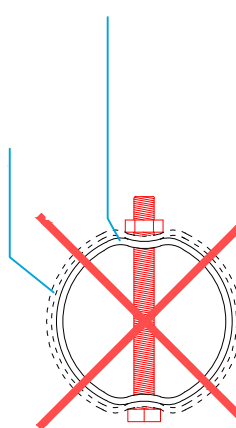
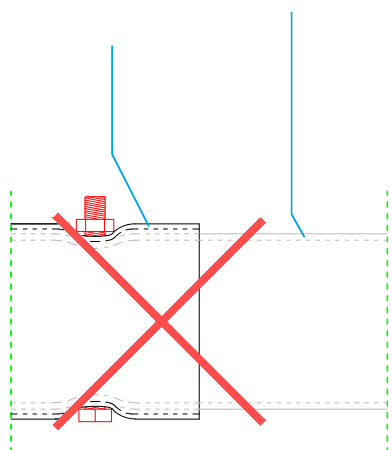
## Initial method of tracking

1. Level the ground as indicated on the slope page.
2. Provide a grid on the ground by fixed wires. The fixed wires must be perfectly parallel and perpendicular to each other and to comply with the project.
3. Perform numerous measurements of the spaces between the lines to obtain a good precision.



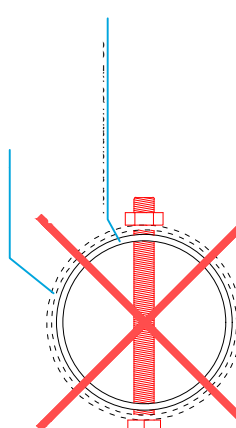
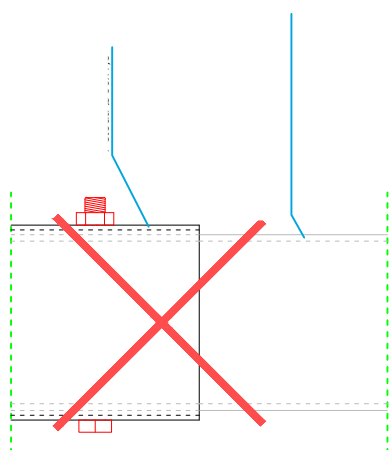


OK  
OK



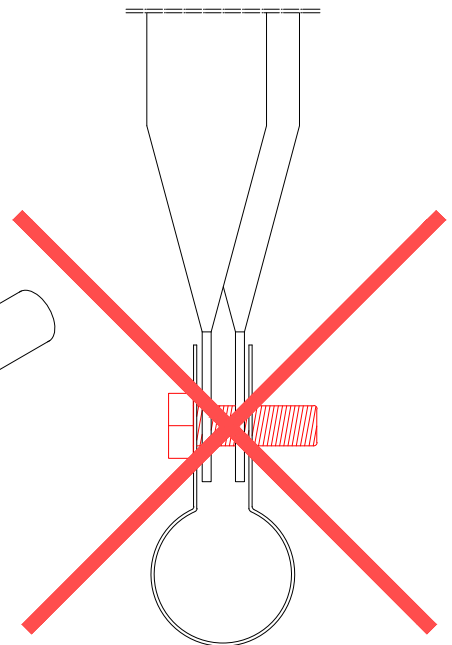
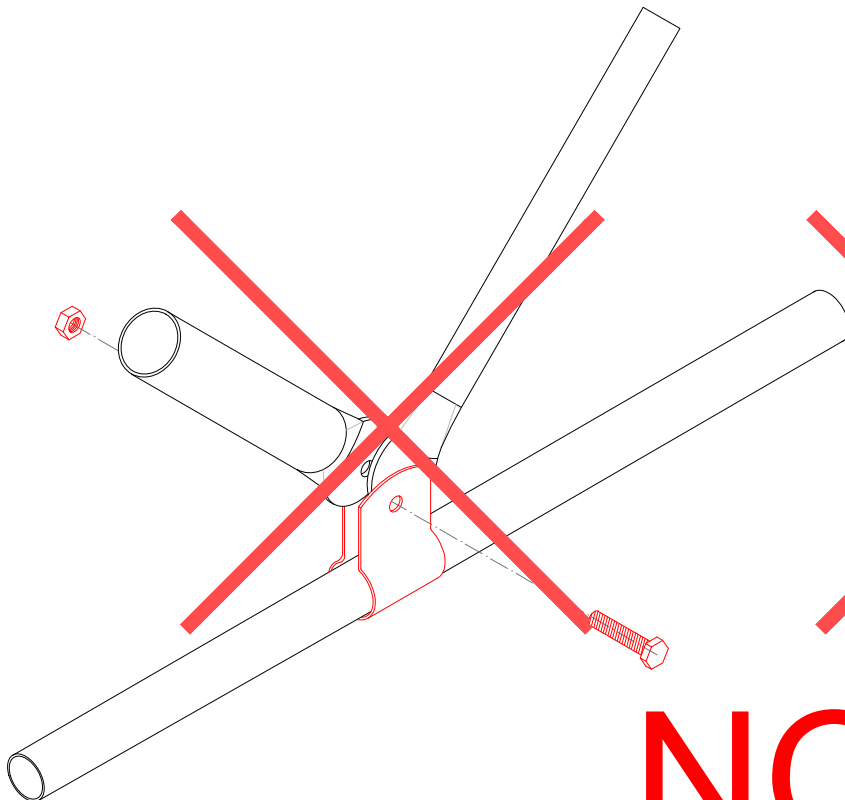
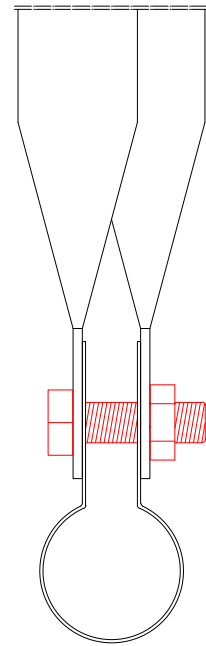
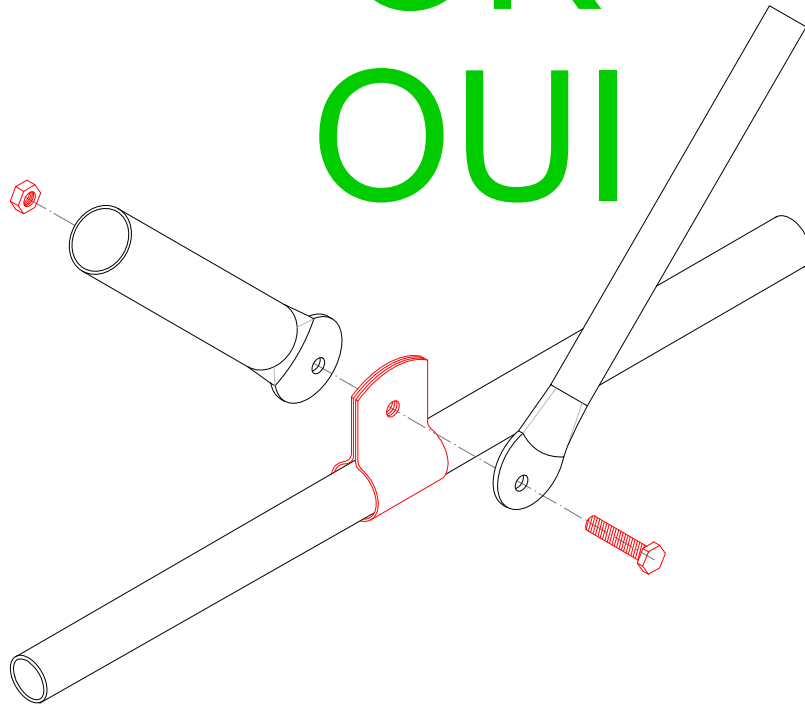
Sezione orizzontale - Horizontal section - Coupe horizontale

NO

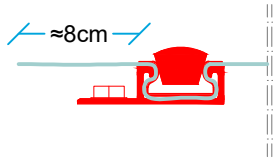


NO

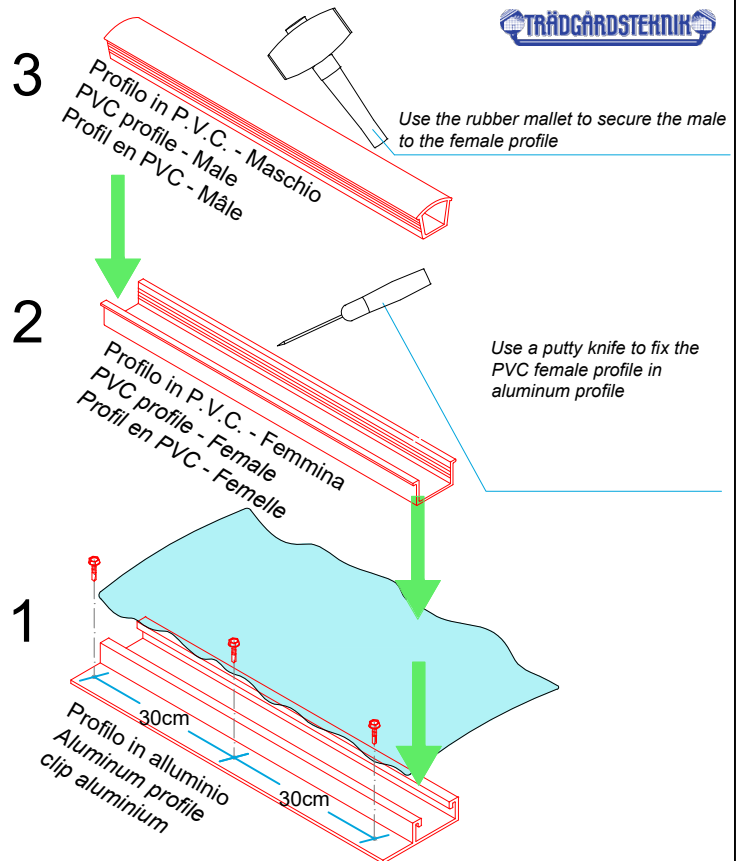
OK  
OUI



NO

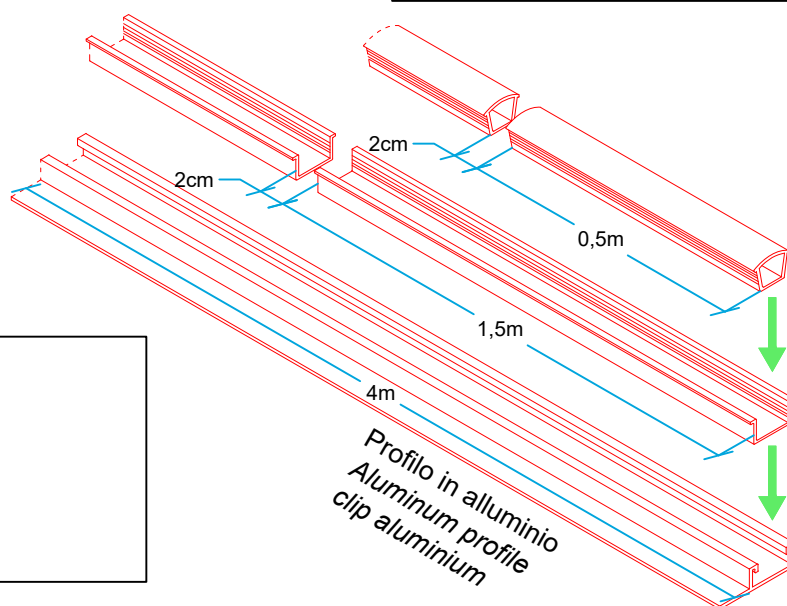


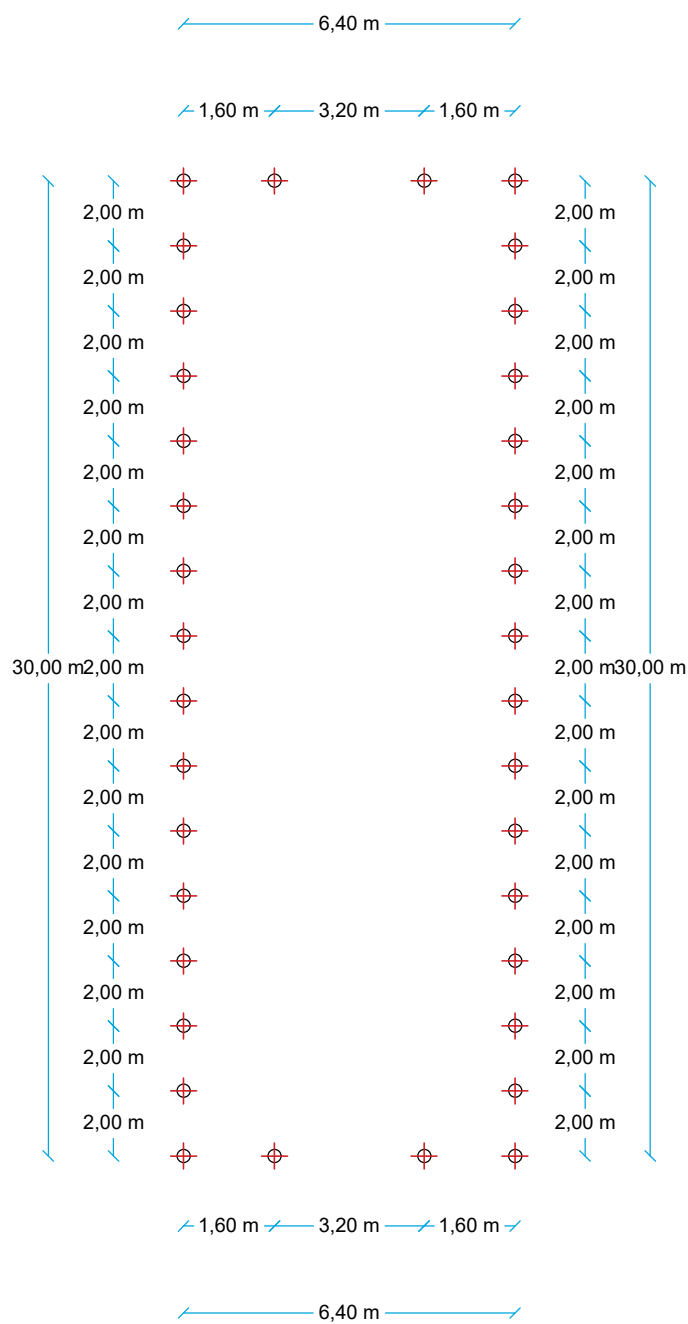
- Don't cut the film too short. Always make a skirt of 8 cm.



## FIXING SCHEME FOR ALUMINIUM AND PVC PROFILES

The joint between the aluminium profiles must not be in correspondence with the joint of the eaves or the fastening crossbeams. The edges of the profiles must be offset between each other, so cut the first PVC female profile at 1,5m and the first male profile at 0,5m. In addition, 2 cm of expansion joint is left between the various PVC profile sticks.

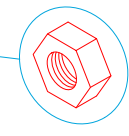
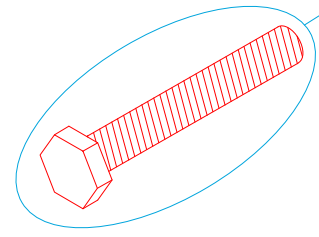




Column Ø60x2500 L.P.

Bolt 10x70 (301011070)

M10 Nut (302010010)

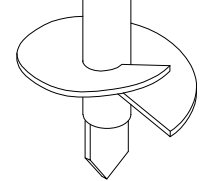


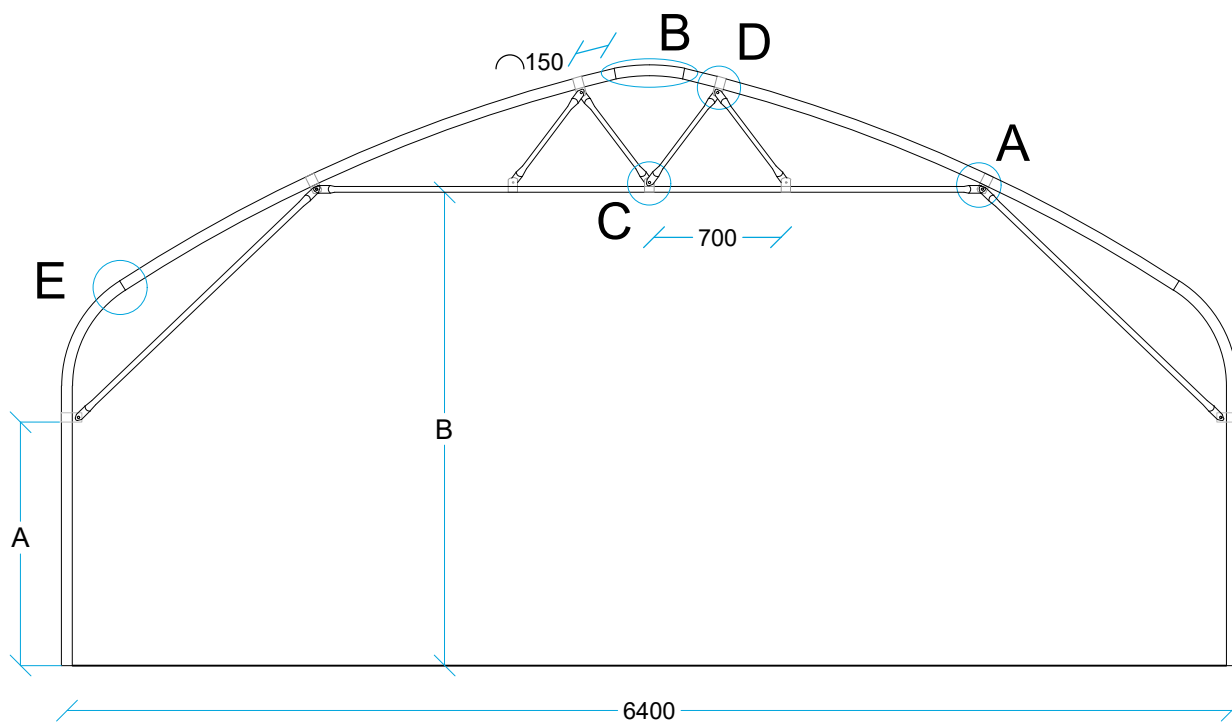
300

Hole to be made at construction site

1200

Foundation graft with helix Ø54x2x1200 HDG

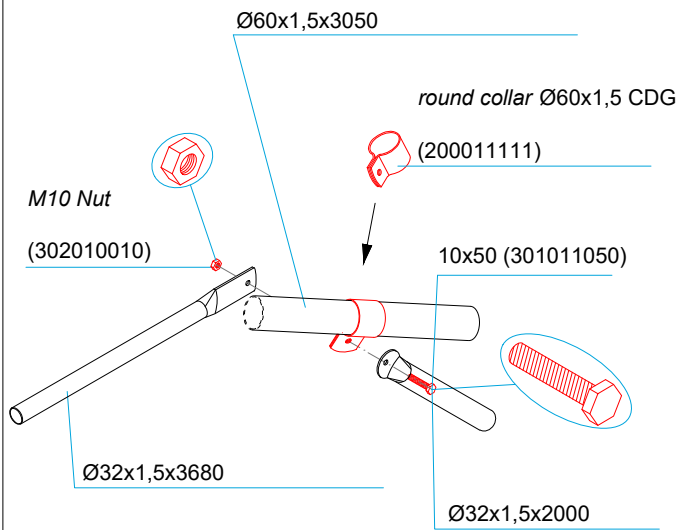




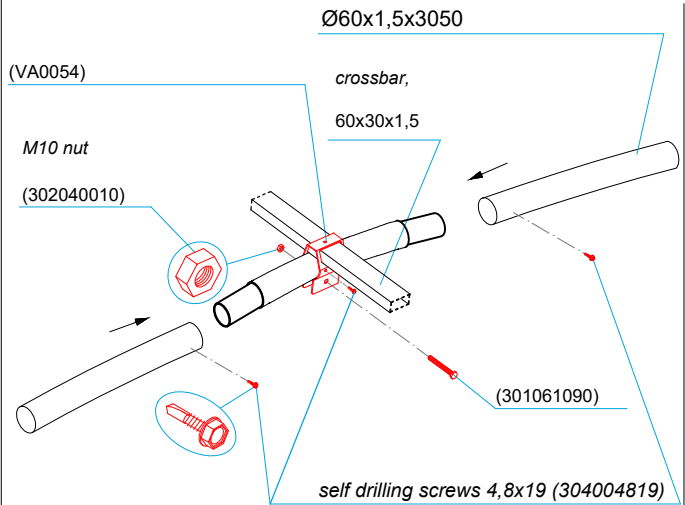
A [m]	1,50
B [m]	2,60



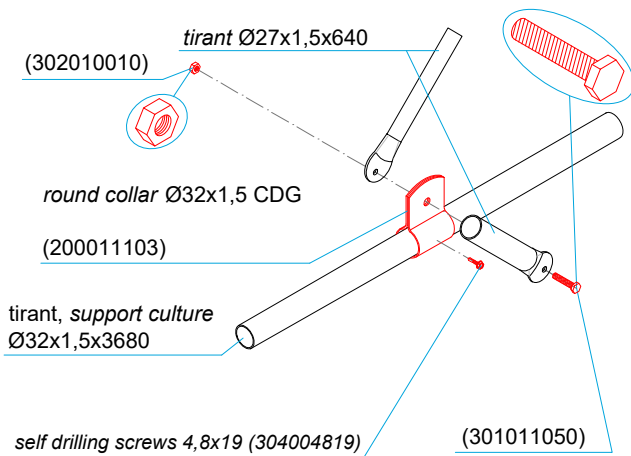
### Detail A



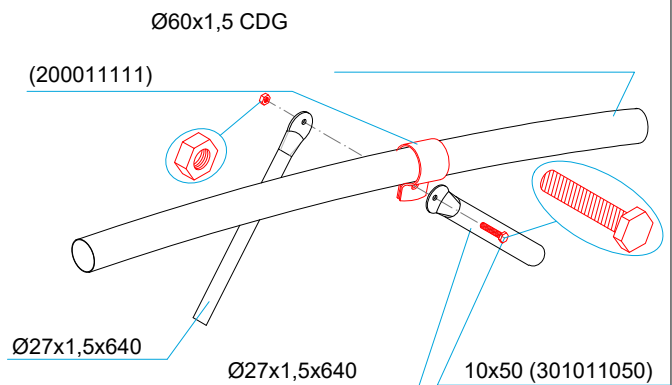
### Detail B



### Detail C

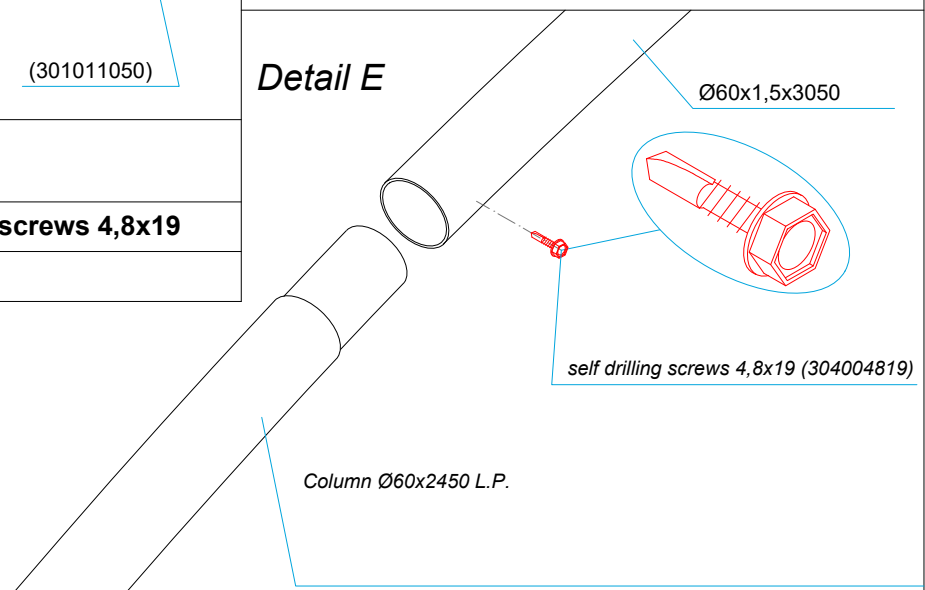


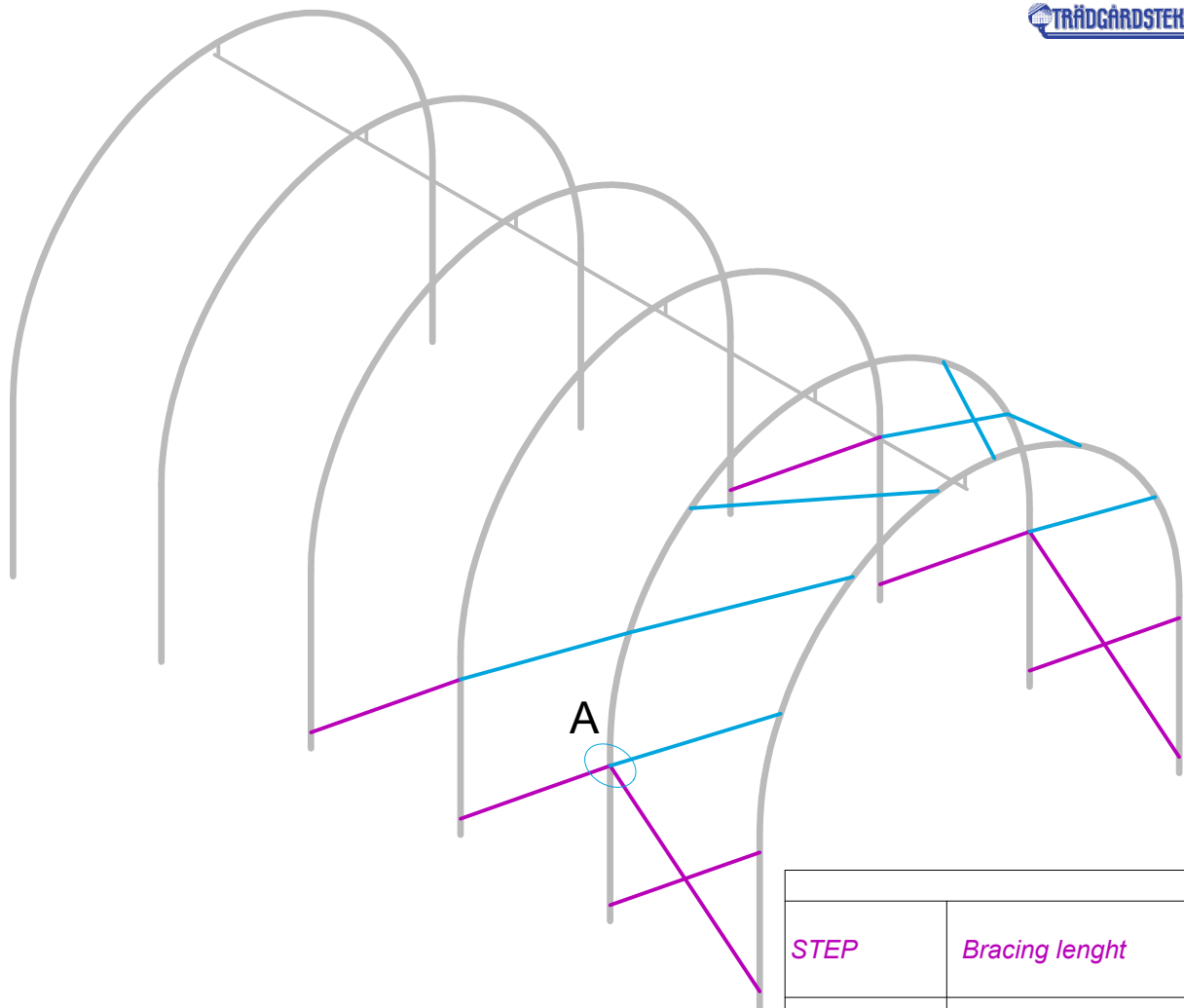
### Detail D



**Fix the collars with self drilling screws 4,8x19**

### Detail E





STEP	Bracing lenght
2,00 m	2,40 m

Round collar Ø60x1,5 CDG -  
(200011111)

Column bracing Ø32

10x50 (301011050)

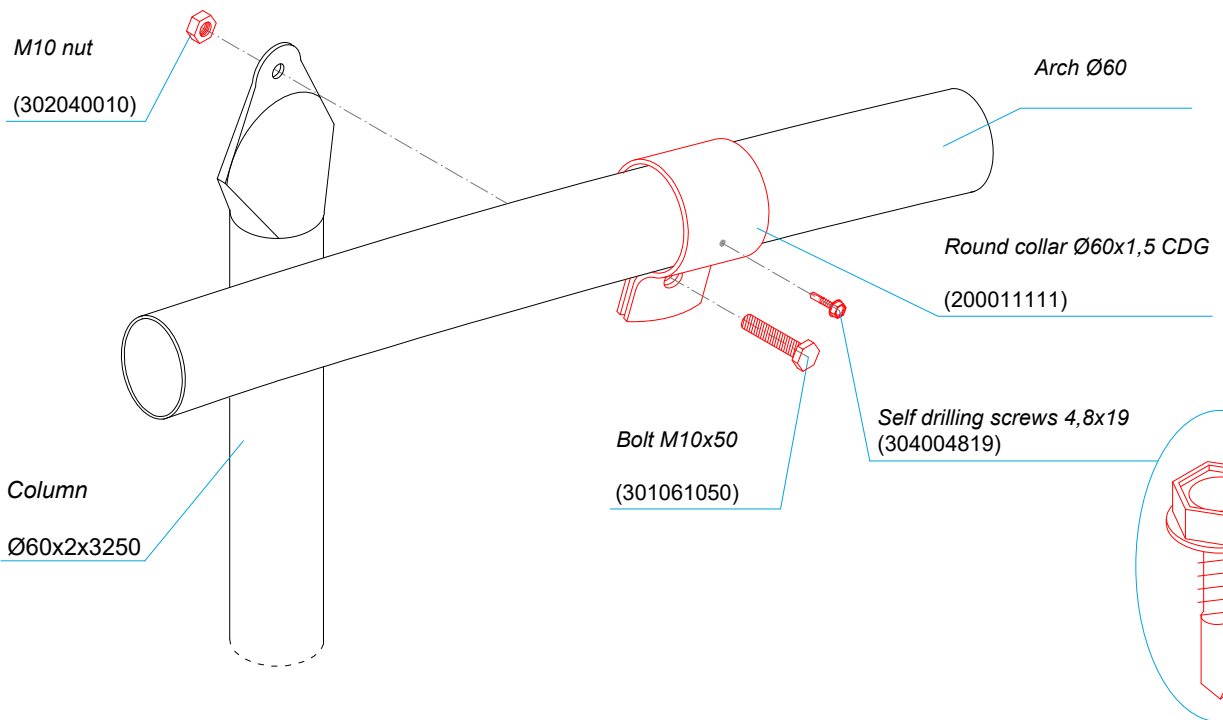
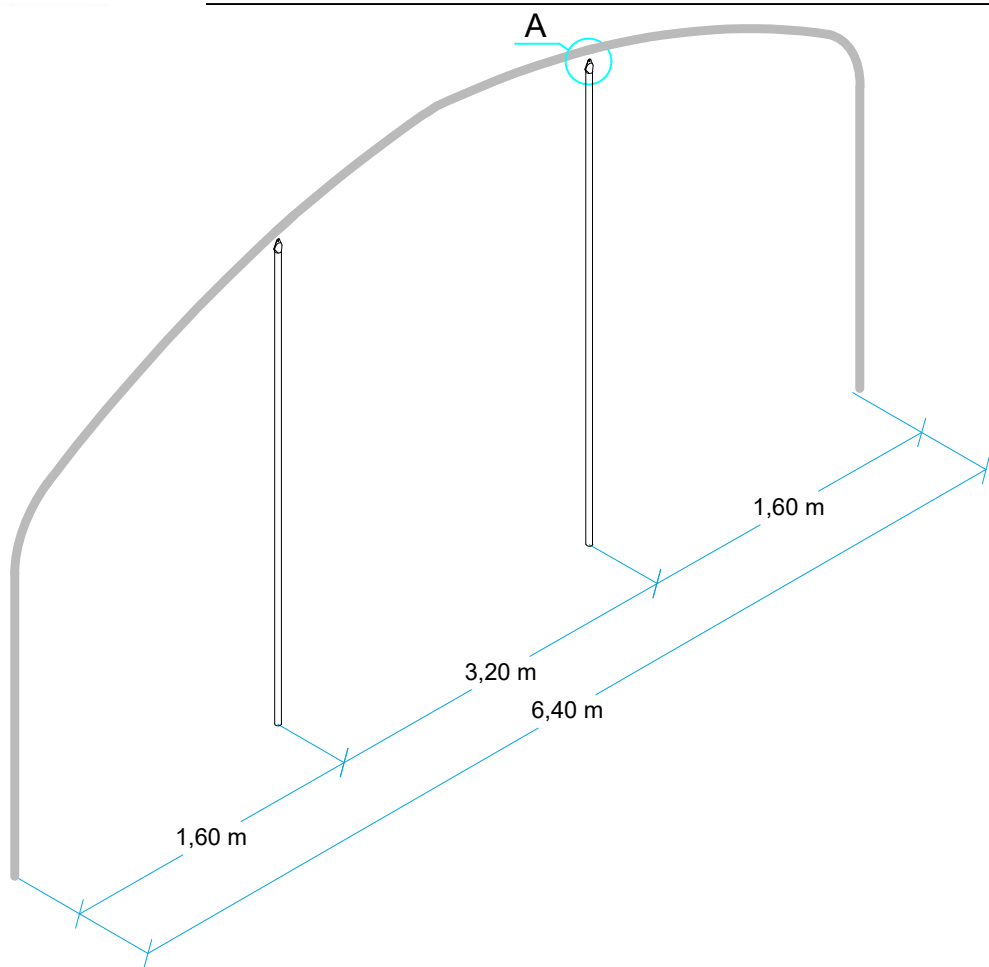
self drilling screws 4,8x19 (304004819)

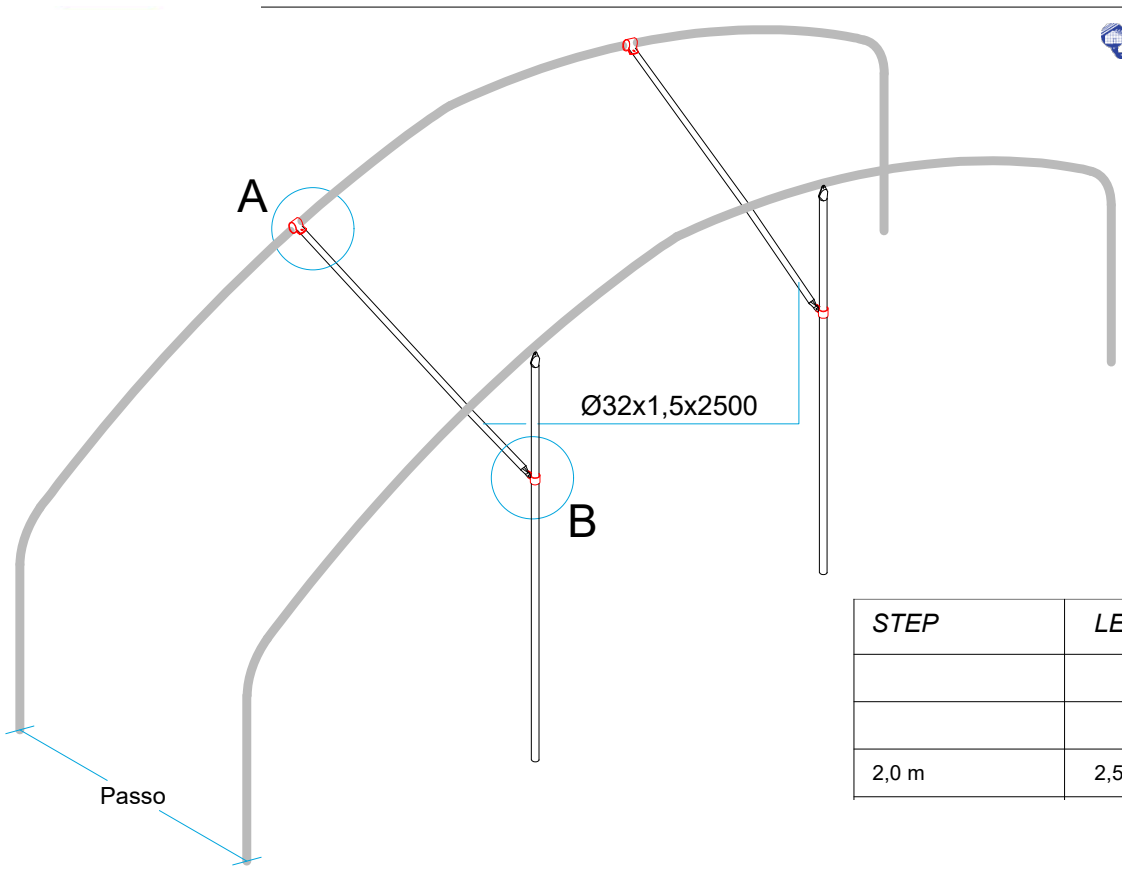
10x50 (301011050)

M10 Nut (302010010)

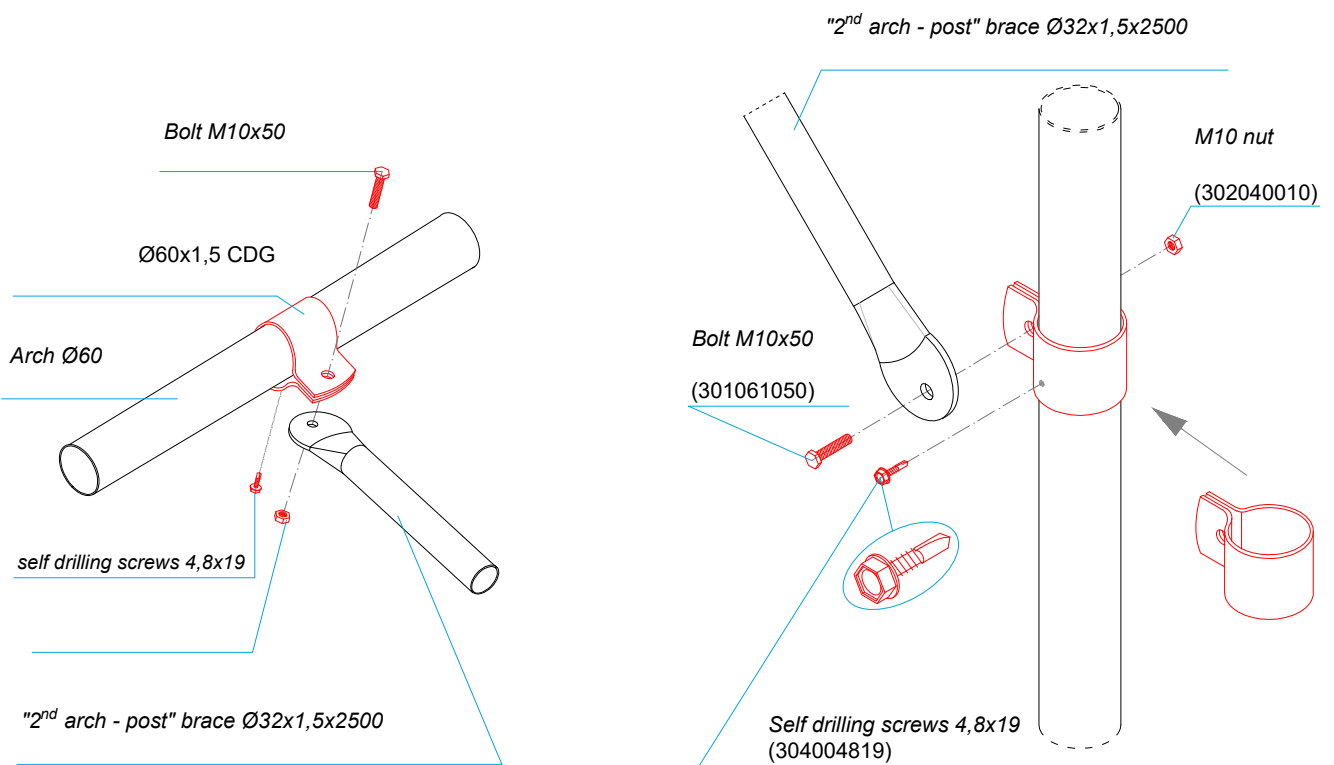
Column bracing Ø32

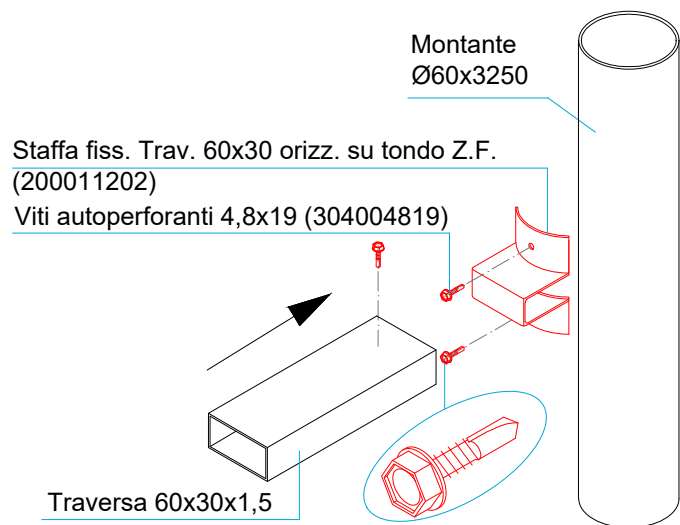
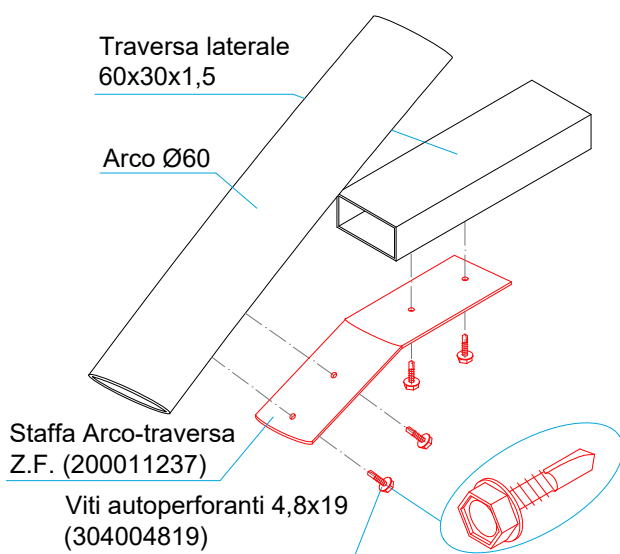
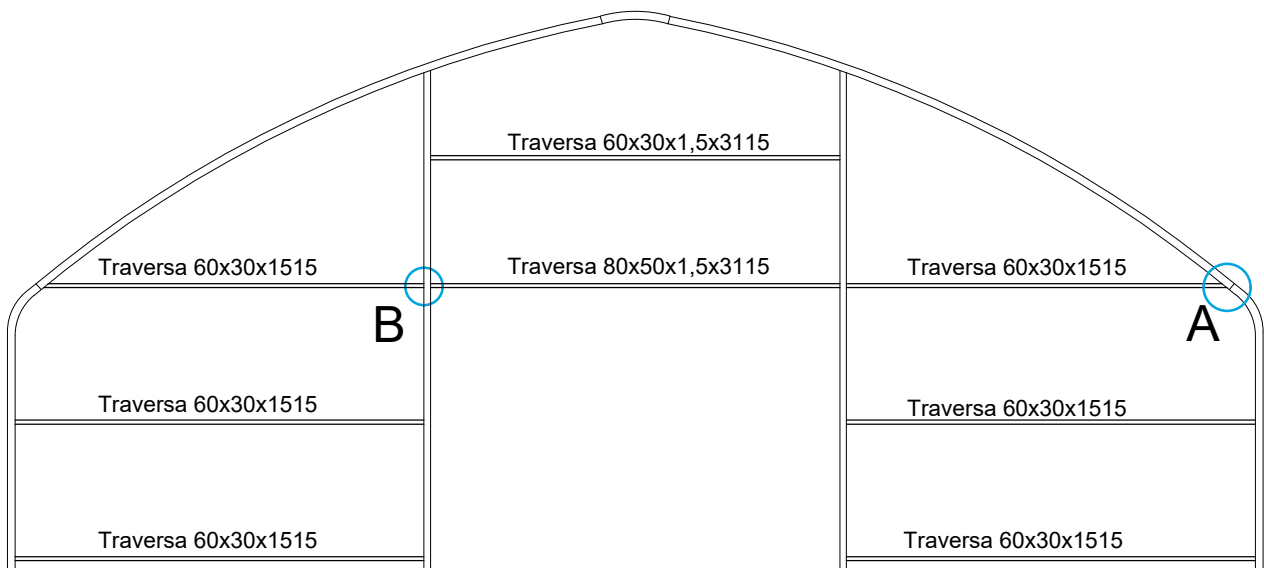
STEP	Bracing lenght
2,00 m	2,70 m

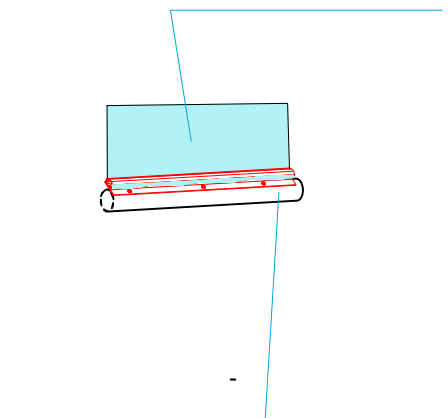
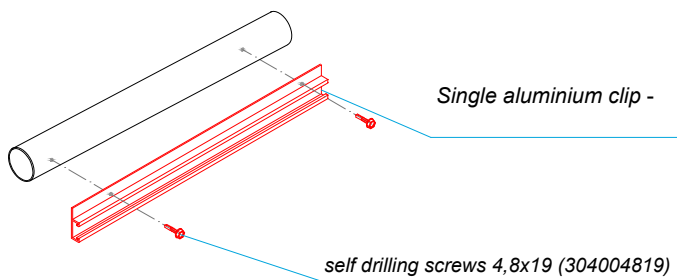
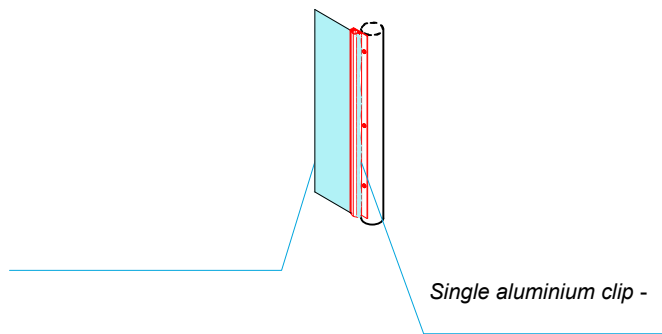
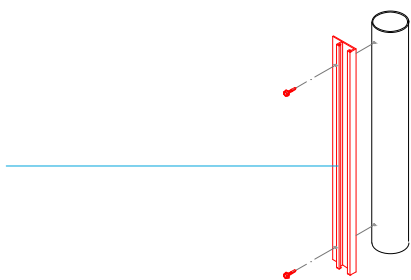
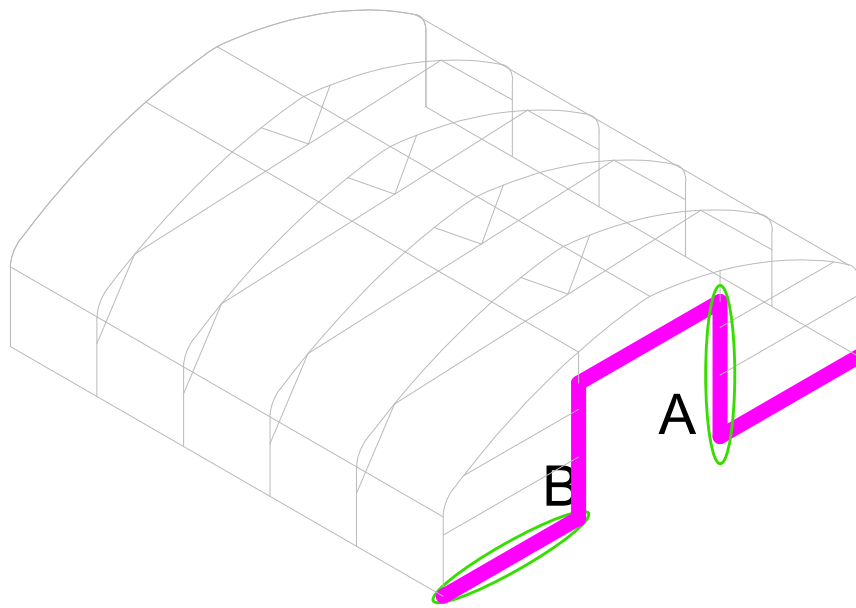


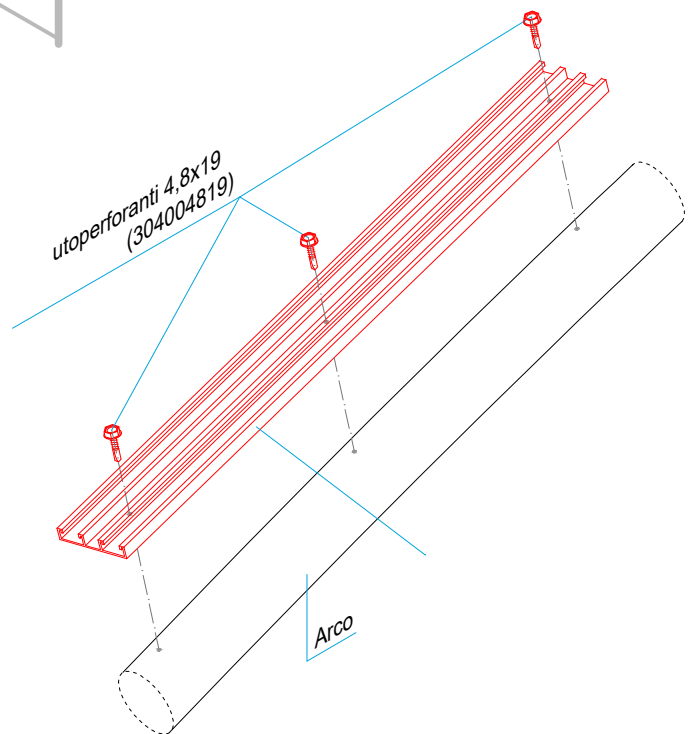
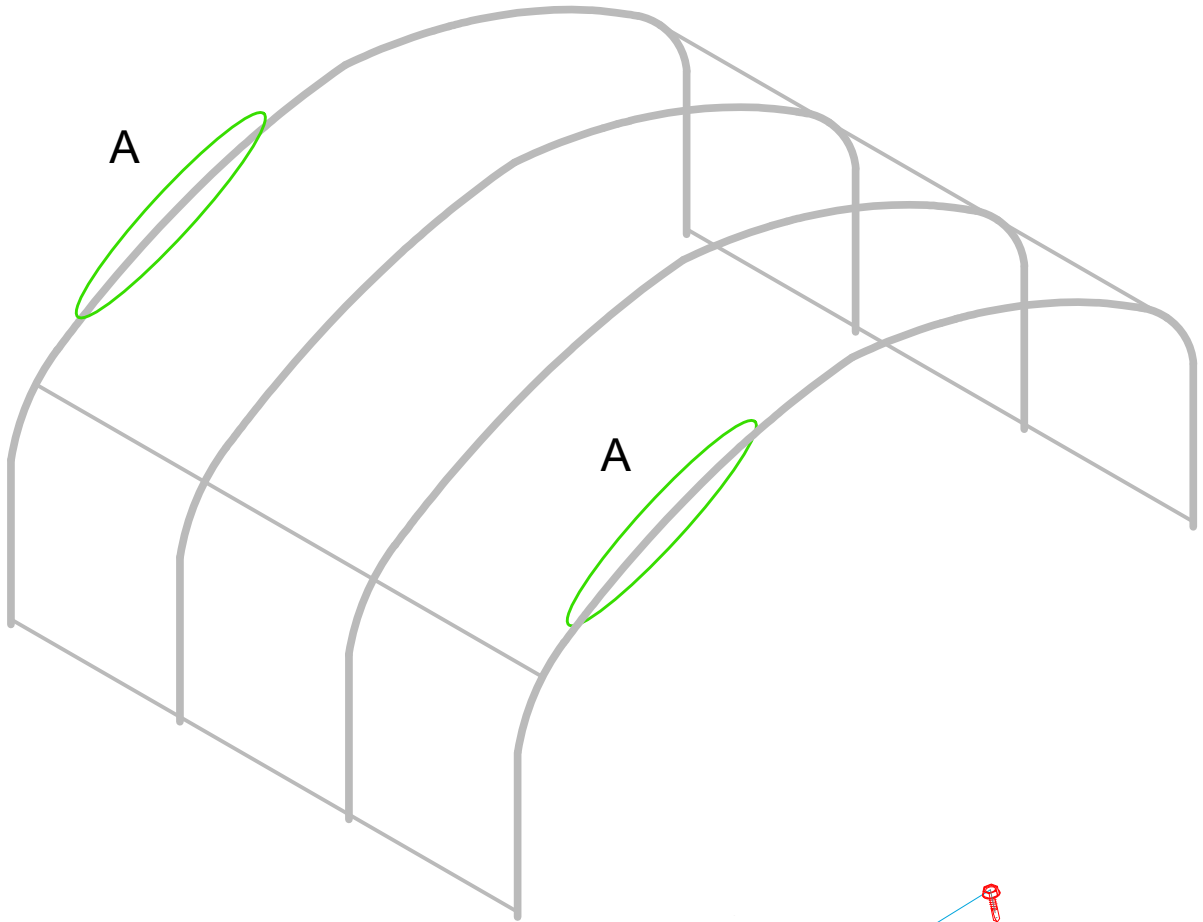


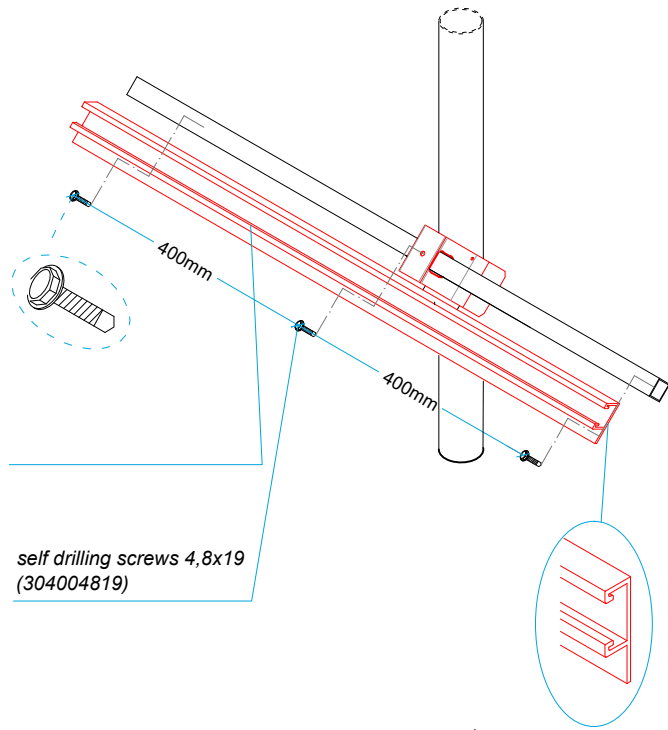
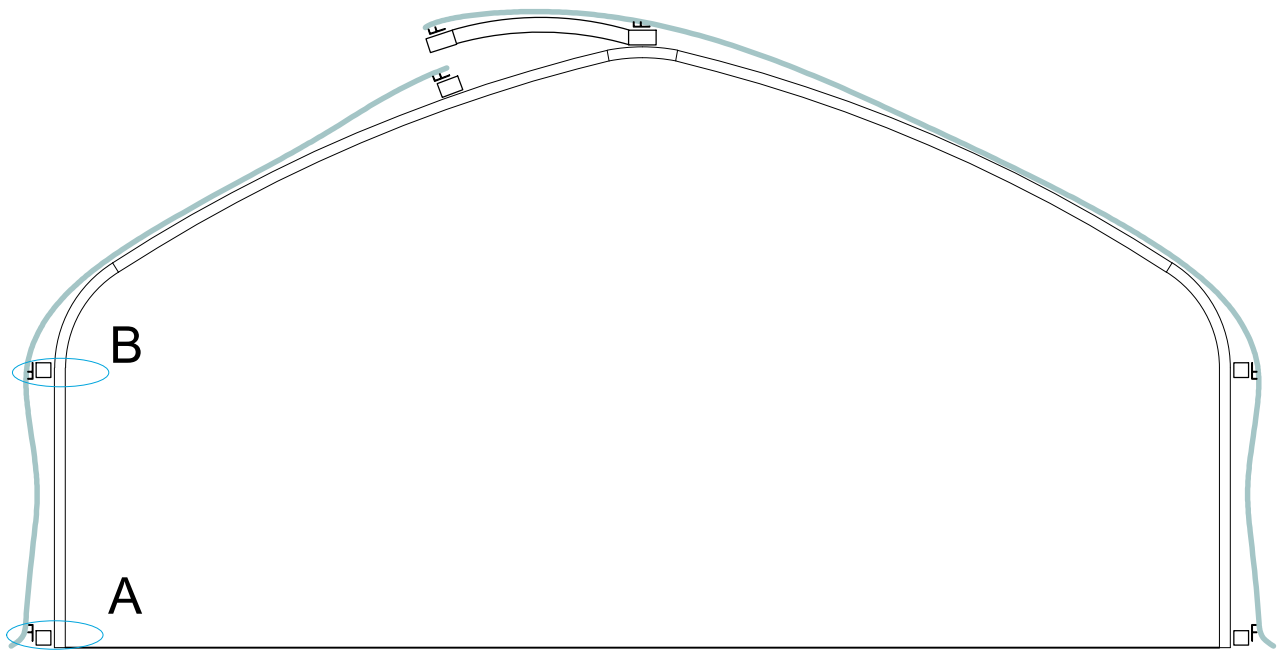
STEP	LENGHT
2,0 m	2,50 m













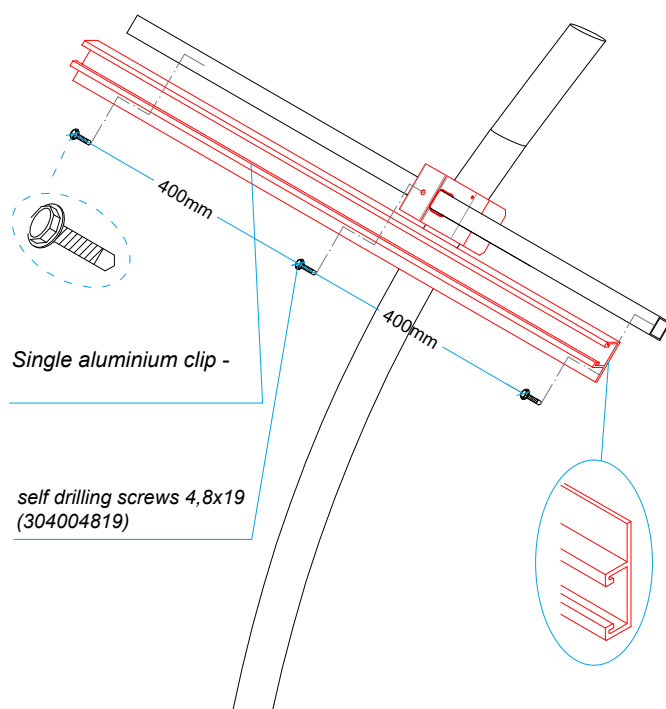
Ø60x1,5/2x4850

25x25x1,5x6000 (100296000)

Collier Ø60 pour tube 25x25

10x50 (301011050)

Connect the 25x25 pipes together by means of a specific joint



Single aluminium clip -

self drilling screws 4,8x19  
(304004819)

The plastic film of the cover will be fixed on the upper groove.  
The plastic film of the sides will be fixed on the lower groove.

The double aluminium profile must be used on the edges to block the piece of netting that binds the curtain bar.

EasyArt 6400

25x25 tube on the sides

12

**Postadress:**

TRÄDGÅRDSTEKNIK AB  
Helsingborgsvägen 578, Varalöv  
262 96 ÄNGELHOLM

**URL:**

Telefon : 0431-222 90  
Bg.nr : 5743-7980  
Org.nr : 556409-6120

[www.tradgardsteknik.se](http://www.tradgardsteknik.se)  
E-postadress:  
[info@tradgardsteknik.se](mailto:info@tradgardsteknik.se)